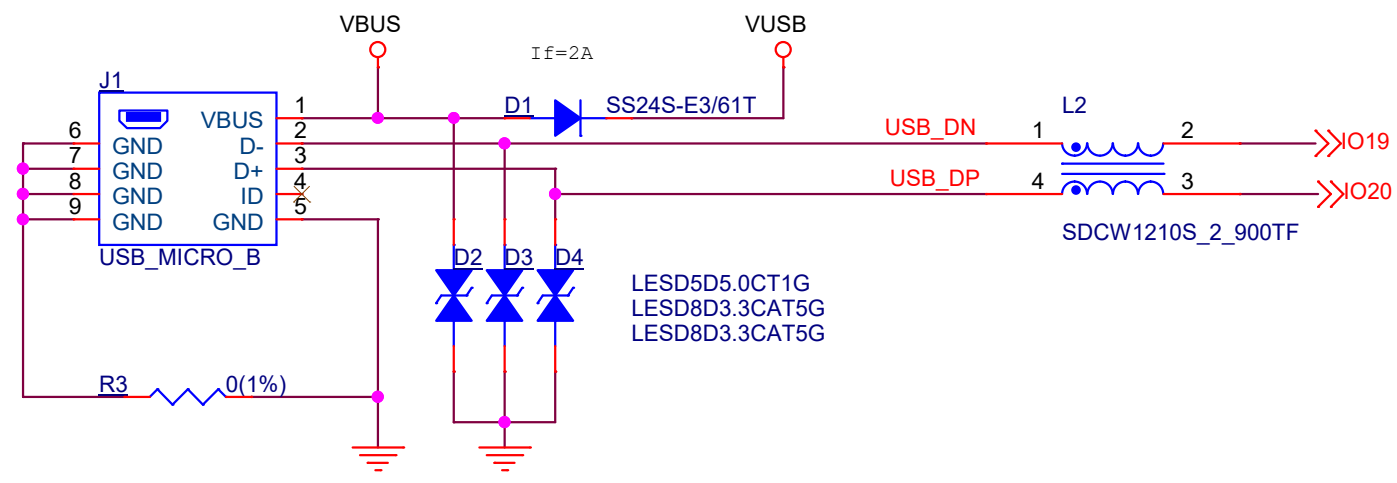
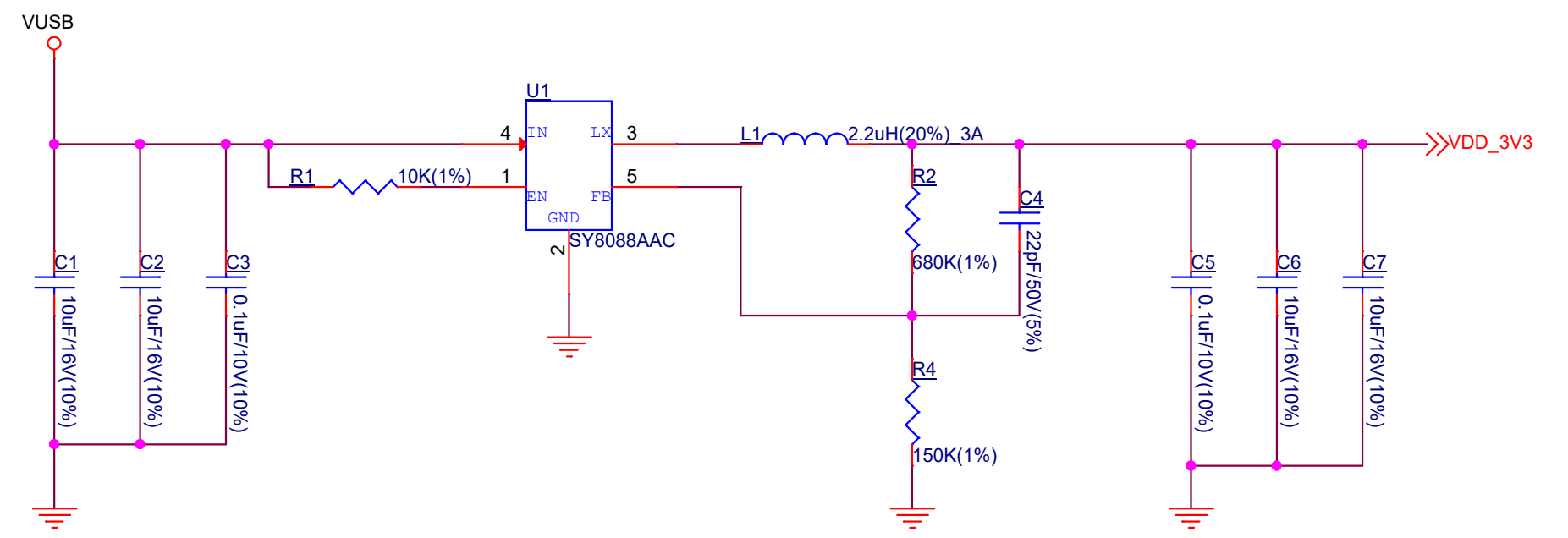


ESPRESSIF			
乐鑫信息科技(上海)股份有限公司			
Title ESP32-S3-EYE			
Size A3	Page Name 01_Overview	Rev 2.2	Proprietary
Date: Tuesday, December 07, 2021		Sheet 1	of 4

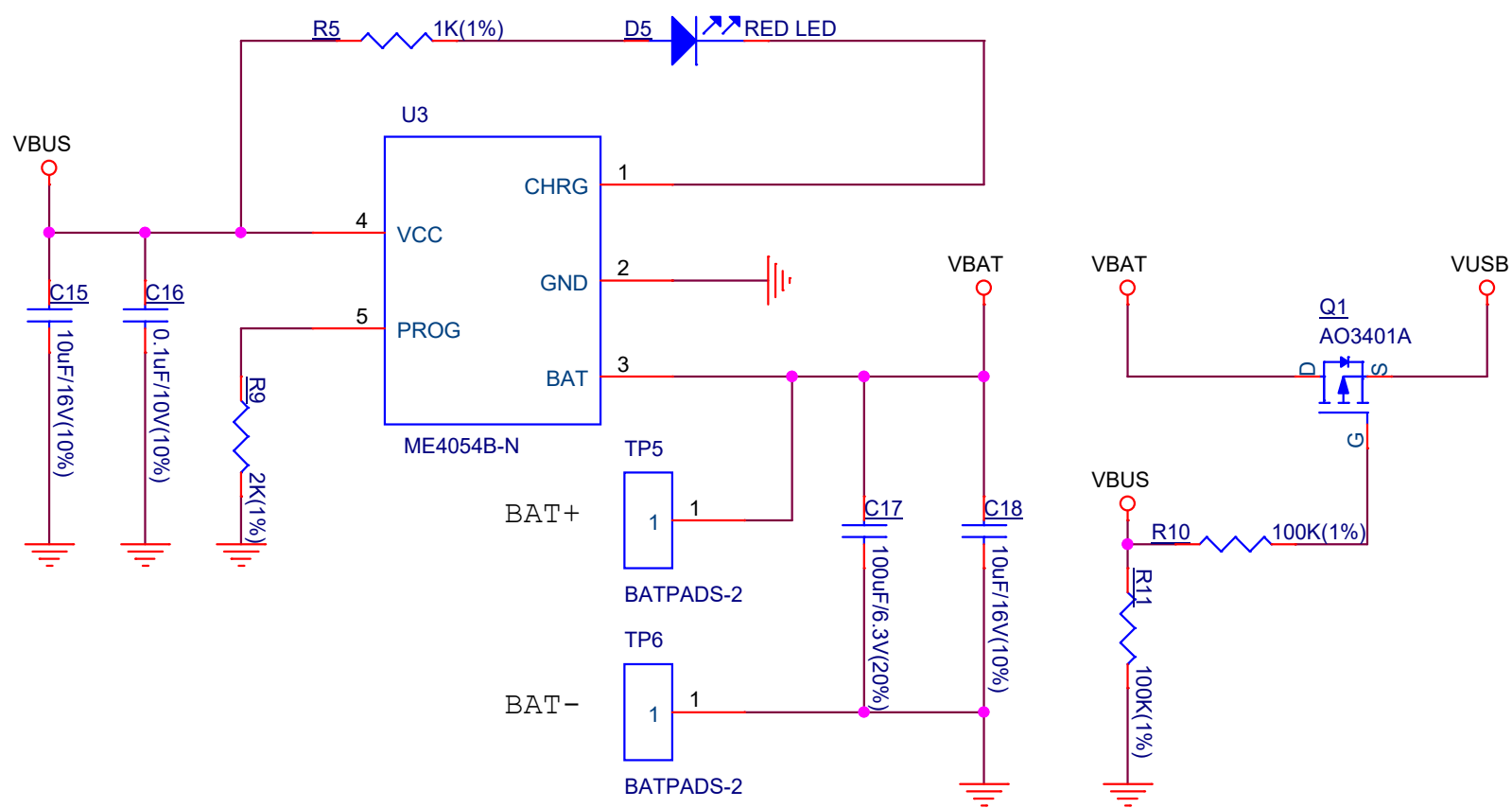
USB



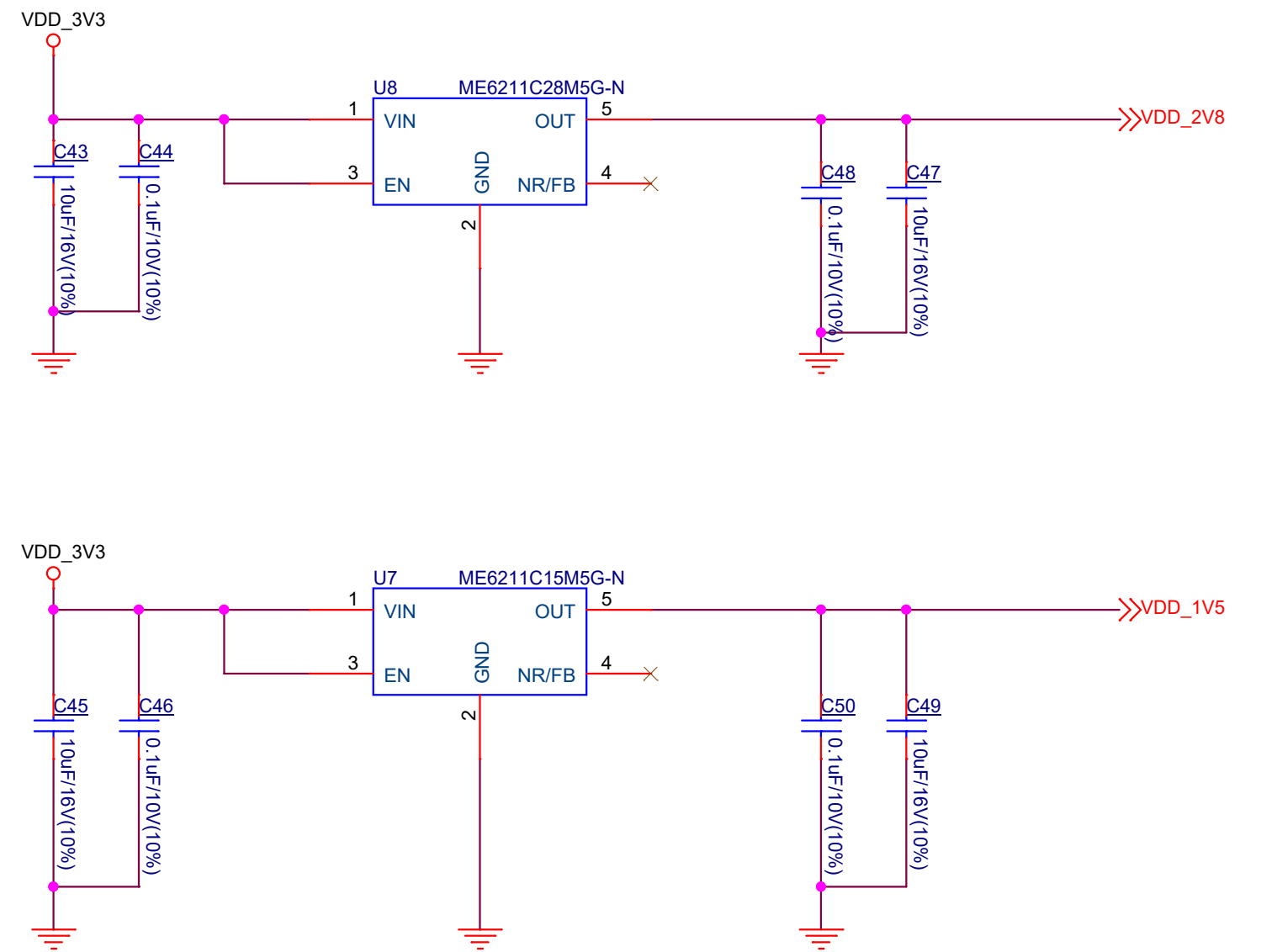
3V3 Buck DC/DC



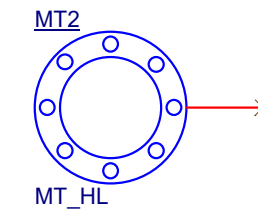
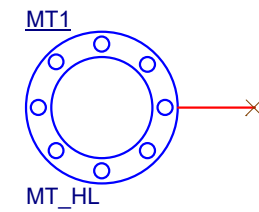
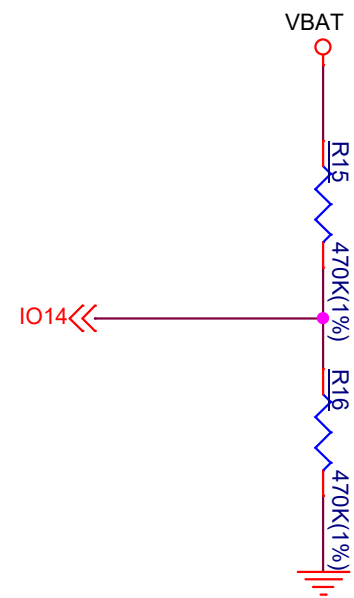
Charge circuit



Camera supplies:



Battery voltage detect



ESPRESSIF

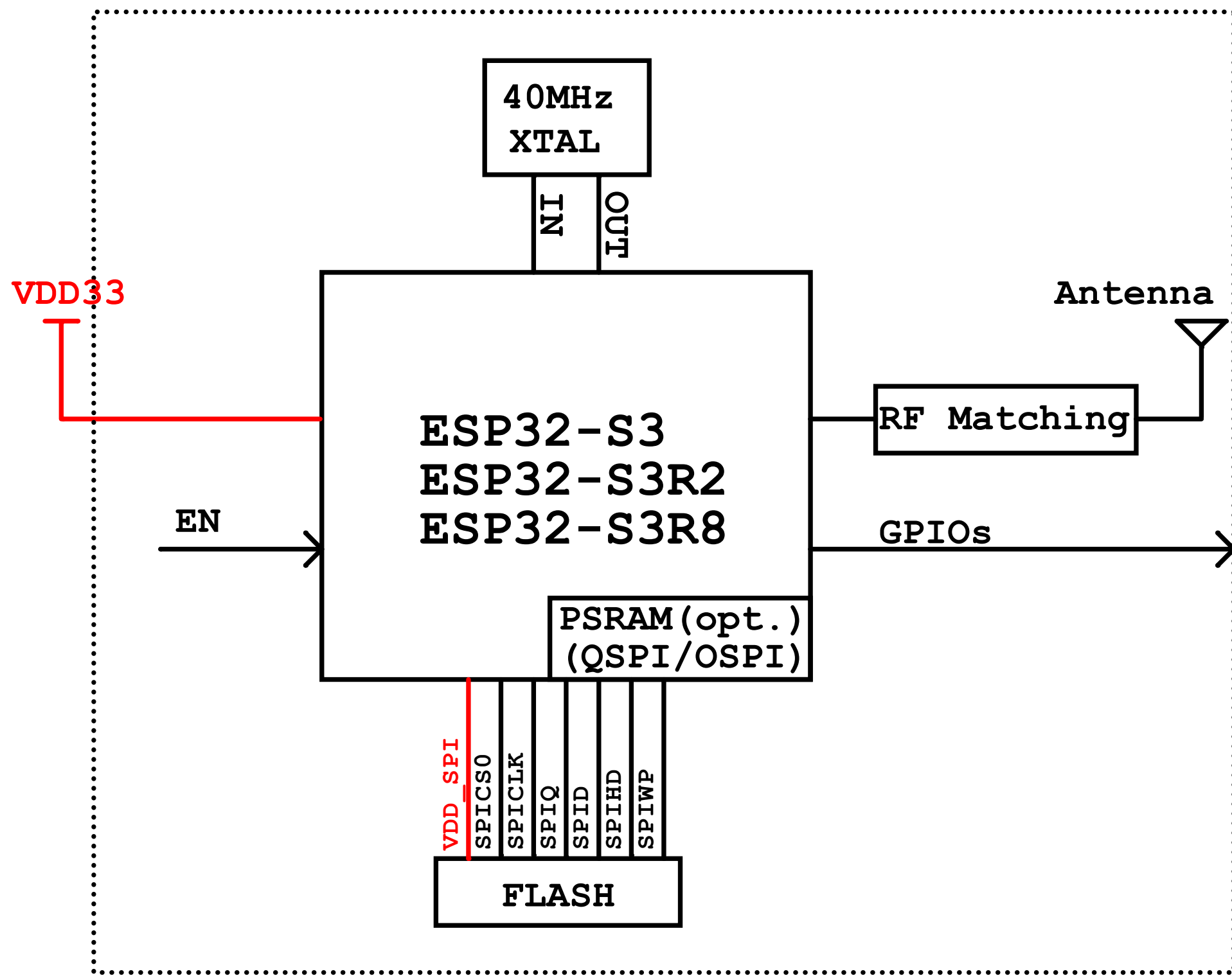
乐鑫信息科技(上海)股份有限公司

Title
ESP32-S3-EYE

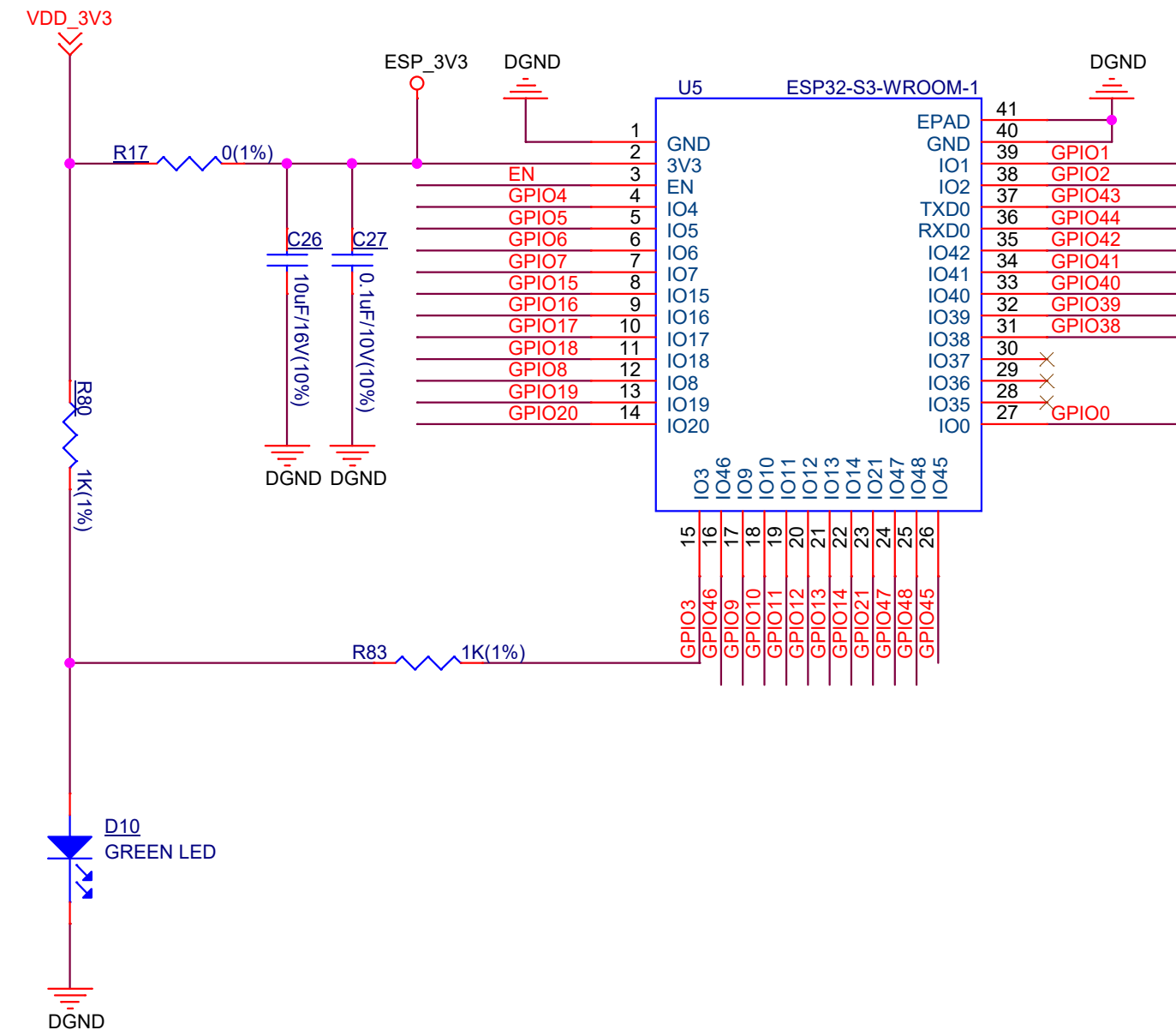
Size A3	Page Name 02_PowerSupplies	Rev 2.2	Proprietary
------------	-------------------------------	------------	-------------

Date: Tuesday, December 07, 2021 Sheet 2 of 4

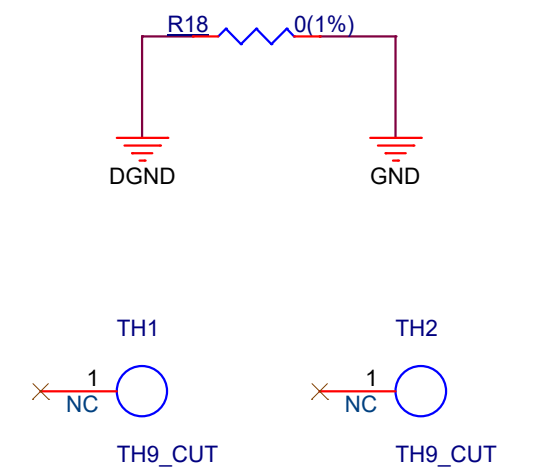
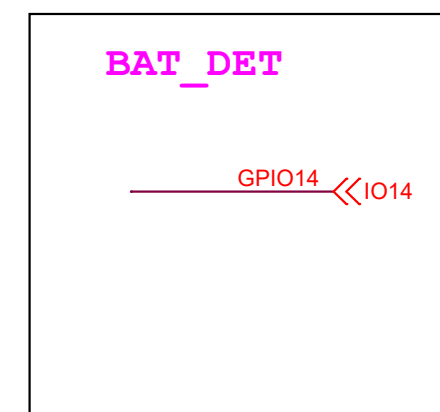
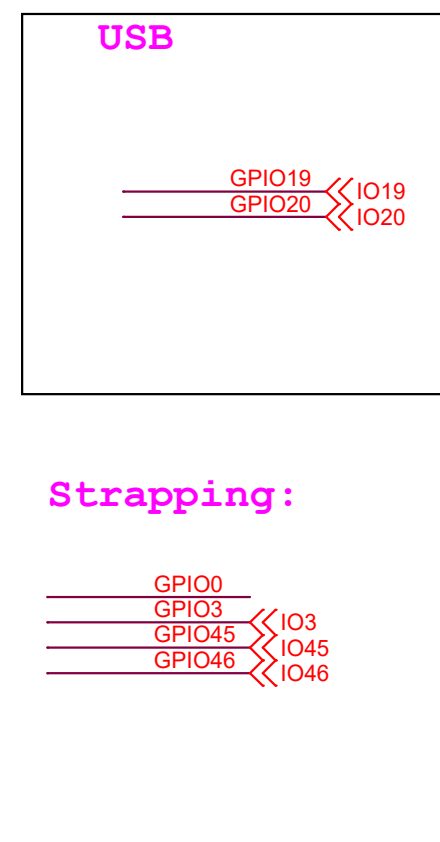
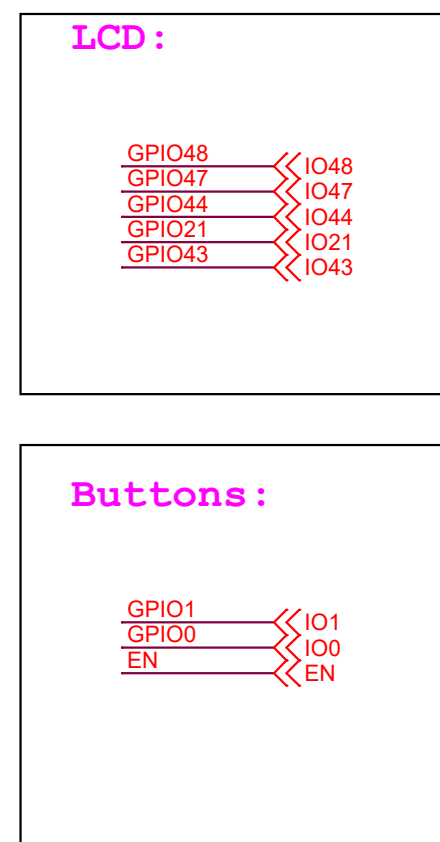
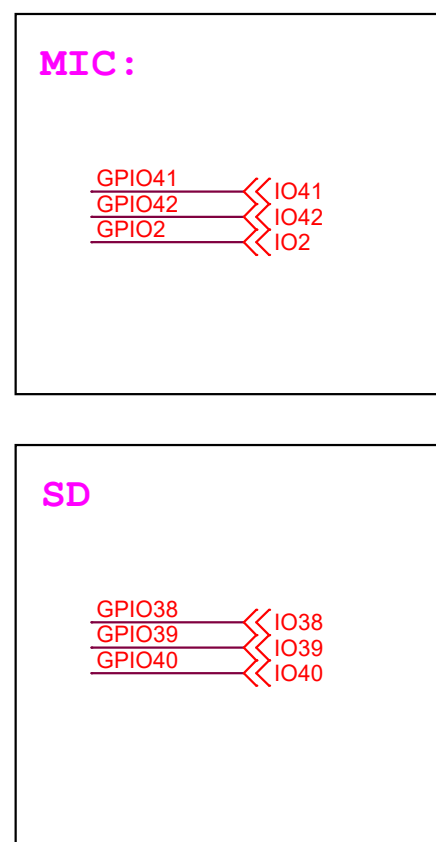
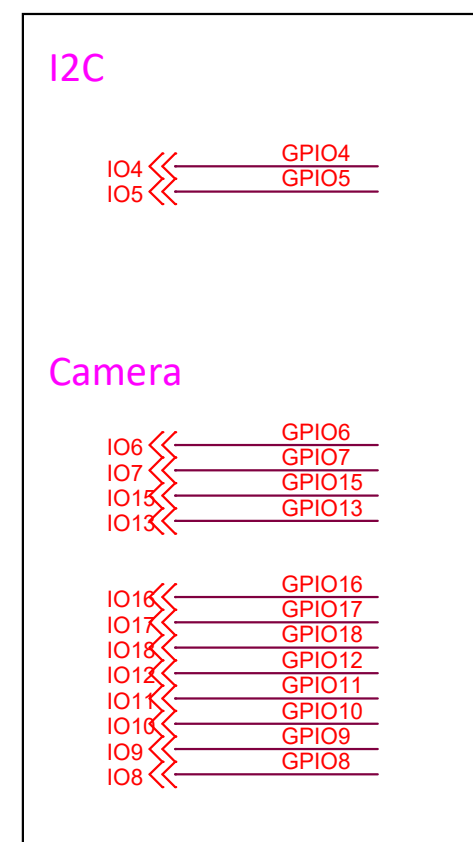
ESP32-S3-WROOM-1:



ESP32-S3-WROOM-1(pin-out)



IO35,36,37, used for 8x PSRAM, NA.



ESPRESSIF			
乐鑫信息科技(上海)股份有限公司			
Title: ESP32-S3-EYE			
Size: A3	Page Name: 03_Module	Rev: 2.2	Proprietary
Date: Tuesday, December 07, 2021	Sheet: 3	of 4	

